


PRODUCT SHEET

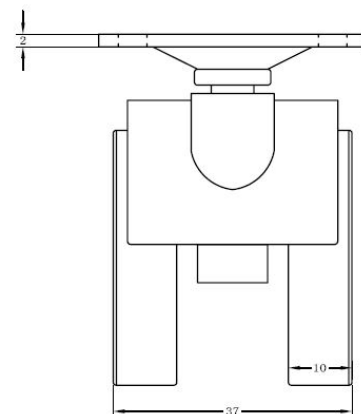
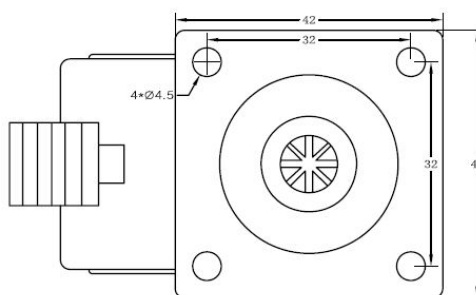
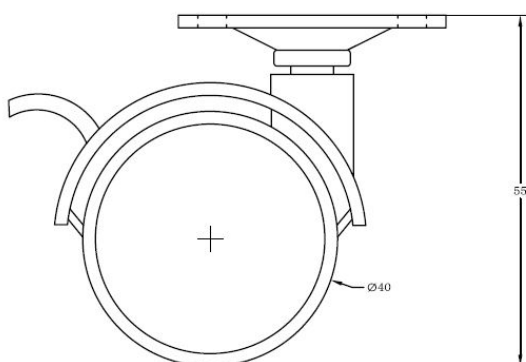
Description:

Twin Wheel Castor $\varnothing 40\text{mm}$, BLK. PA, W/Brake, Top Pl 42x42x2mm cc:32mm, Mounting Height: 56mm

Item number:

08.04.028-2

| Units | Box | Carton | HS Code | Barcode |
|-------|-----|--------|------------|--|
| Pcs. | 4 | 400 | 8302200090 |  |
| | | | | 5704866005319 |



SISO A/S

Mileparken 11
DK-2740 Skovlunde
Denmark
VAT: DK 24786013

Phone +45 45 830 900

www.siso.dk
siso@siso.dk

Danske Bank
Nytorv Branch
Copenhagen
SWIFT: DABADKKK

Account no.
4180 3112 112936
IBAN Account
DK7230003112112936